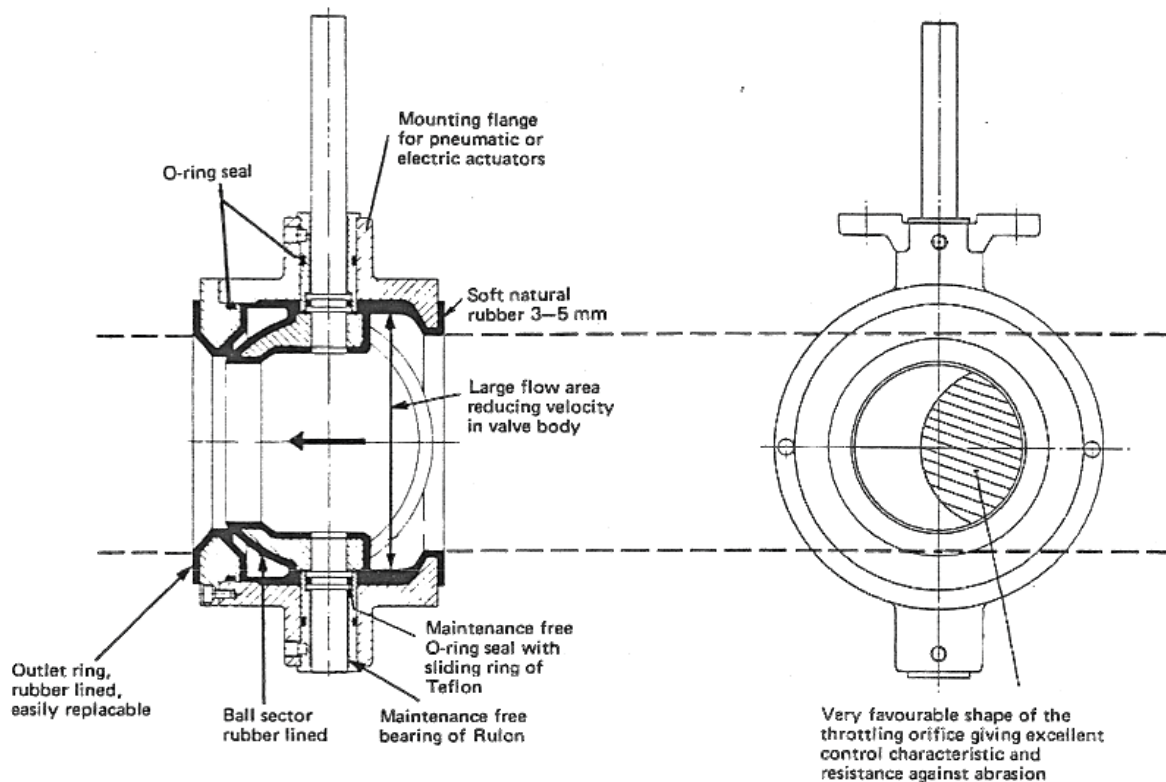


Rubber Lined Ball Sector Valve Ramén type KSG



Features

- Low maintenance costs – no lubrication
- Excellent control characteristic
- Short face to face dimension and low weight
- Easily adapted to pneumatic or electric actuators for on-off or throttling service

General

Rubber lined ball sector valves Ramén type KSG have been tested for several years in ore dressing plants for throttling control of pulp and abrasive water in connection with mills, thickeners filters and magnet separators

Construction

The moving element of the valve is a sector of a ball with pivots journaled in the valve body. On 90-degree rotation it alters the flow area from fully open to tight shut off. An outlet ring is giving the seal against the ball sector.

Valve body, ball sector and outlet ring are rubber lined on all wetted parts. The ball sector valve is primarily intended for throttling control but can also be used for two-position or on-off control. It is tight in both flow directions.

(1/2)



Operation

- Lockable hand lever
- Worm and gear drive unit with hand wheel
- Pneumatic cylinder for on-off or throttling control with positioner
- Electric actuator for on-off or throttling (position adjusting type) control.

Installation

The valve type KSG is flangeless and should be mounted between flanges according to ISO or ANSI standard. Because of the rubber lining no flange gaskets are required.

Flow direction shall be with the throttling orifice on the outlet side of the valve as indicated in sectional drawing above. Thereby lowest flow velocity in valve body is achieved and changing of flow direction does not occur within the valve but in the pipe after the valve. Eventual wear will occur only on outlet ring and ball sector which are easy to replace if necessary. It is recommended that wetted parts of downstream pipe near the valve are rubber lined. Unlined pipes of steel can be worn for a short period of time in severe applications.

The flangeless valve body, style KSG, can be converted and delivered with integral body flanges mounted at the Ramén factory on each side of the valve body via tie rods. Face to face dimension remains unchanged. The flanged value is designated type KSGF and may facilitate pipe or tank bottom mounting in some installations.

<i>Dimensions:</i>	DN 80, 100, 125, 150, 200 mm.
<i>Material:</i>	Body, ball sector and outlet ring of ductile iron with wetted parts soft natural rubber lined. Shafts of stainless steel, bearings of Rulon, bearing sleeves of steel with bearing surface or reinforced Teflon and O-rings of Nitrile-rubber.
<i>Pressure rating:</i>	Maximum 500 kPa (5 bar).
<i>Pressure drop:</i>	Maximum about 200 kPa (2 bar) depending on temperature and nature of abrasive flow material.
<i>Temperature rating:</i>	Maximum 40-60° or lower depending on velocity and nature of abrasive flow material.
<i>Additional information sheets available are:</i>	Type designation Rating for throttling control – K_v and C_v values Control characteristic diagram Dimensional drawings with different types of actuators Reference list

(2/2)