

PRODUCT DATA SHEET

Engelsberg vacuum valve type VAC 112



Ramén Valves

We know the flow

Stainless steel | Threaded connections



The Engelsberg type VAC112 is a vacuum breaker made in stainless steel. The VAC112 is used to protect pipelines and closed containers in steam or fluid system for pressures up to 64 barg.

Dimension: DN25

End connections: Threaded connections BSP-M

Pressure class: Max. 64 barg

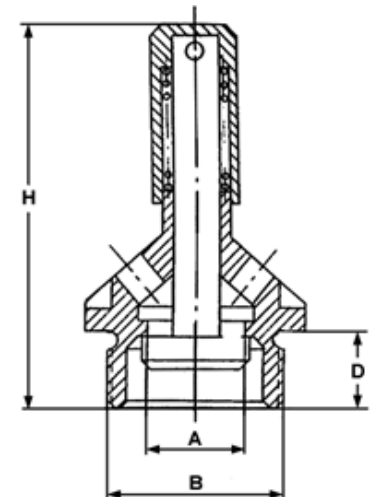
Approvals/certificates: EN 10 204 3.1 on request

Installation, operation and maintenance

Check materials, pressure and temperature and their maximum values. Determine the correct installation position in the system. Remove protective covers. Always install in a vertical position with the connection at the bottom. For external sealing, O-ring 29.2x3 or flat gasket can be used. Make sure the valve is not covered.

Technical information		
Temperature range	-50°C up to 200°C	
Size	DN 25	
Working pressure	-50°C	64 barg
	100°C	64 barg
	200°C	53 barg
		Opening pressure normal setting 0,85-0,9 bara

Parts and material of construction		
No	Part	Material
1	Body	EN 1.4408
2	Stem	EN 1.4404
4	Cover	EN 1.4404
3	Spring	EN 1.4404



Dimensions and weight (mm and kg)							
DN	PN	A [mm]	B [mm]	D [mm]	H [mm]	Q*	~kg
25	64	18,5	1	14	80	0,6	0,3

*Q = capacity in Nm³/min



Address: Fredsforsstigen 22A, SE-168 67 Bromma, Sweden

Office: +46 8 598 931 00 | www.ramenvalves.com