

# PRODUCT DATA SHEET

## Engelsberg Globe Valves



**Ramén Valves**

We know the flow



Reliable and accurate globe valves for shut-off or regulating of liquid and gas flow. They offer multi-turn shut-off to prevent fluid hammer in the system. Available in soft or metal seated plug with or without check valve function. Can be supplied with a special design with extended stem for cryogenic applications. Delivered with handwheel and can also be supplied with pneumatic or electrical actuators.

**Material:** Titanium ASTM grade 2 and grade 5, 254 SMO, Duplex, Super Duplex, Hastelloy C-276, 904L

**Dimension:** DN8-DN250 (1/4" – 10")

**End connections:** Screwed BSP or NPT, Flanged, Butt weld/socket weld

**Pressure class:** up to PN40

**Pressure test:** Acc. to EN12266-1

**Temperature:** -50°C to 300°C

**Leakage class:** Rate A acc. to EN12266-1

**Design:** Tee Pattern - DN15-DN250 / Wye "Y" Pattern – DN8-DN25

**Options:** Screw down non-return design, metal to metal or soft Seated

**Mode of operation:** Manual (hand lever/gear), Actuated (to be installed via the mounting flange according to ISO-5211)

**Approvals:** CE-marked acc. to PED 2014/68/EU

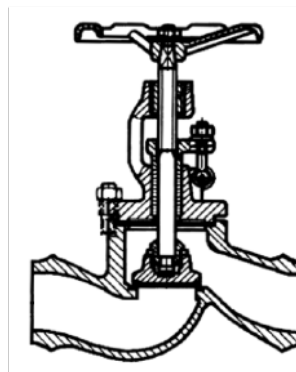
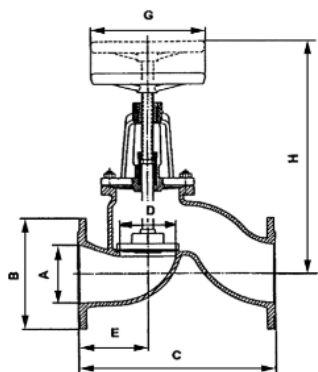
### Ordering code

Part no. Position	EB	1	2	3	4	-	5	6	-	7	8	9	10	11	-	12	13	14	15	16	17	18	-	19	20
Part No. code example	EB	-	3	5	0	-	1	1	-	2	8		4	0	-	2	5	-			5	4	-	H	W

Example: Globe valve, threaded female BSP, in 316L SST, BSP Female connection, Metal Seated, Graphite packing, PTFE gasket seat, with handwheel.

EB	Valve series (1-4)		Body material (5-6)		End connection (7-8)		Pressure rating (9-11)		Size (12-14)		Options (15-16)		Options (15-16)		Seat/Packing/Seal (17-18)		Actuation (19-20)			
EB	350	Threaded female BSP	10	316 SST (EN 1.4301)	28	BSP male	16	DIN PN16	-8	NR	Non-Return	RB	Reduced	54	Metal/Graphite/PTFE	HW	Hand-wheel			
	360	Welded BW	11	316L SST (EN 1.4435)	29	Butt weld	25	DIN PN25	-15											
	435	Flanged	12	Duplex (EN 1.4470)	30	Socket weld	40	DIN PN40	-20											
	465	Welded BW/SW	13	Titanium	41	Flanged	64	DIN PN64	-25											
									-32						56	Metal/ Graphite/ Klingsersil C4400	SR	Spring return		
									-40						57	PTFE/PTFE/PTFE	DA	Double acting		
									-50											
				14	Hastelloy C276			100	DIN PN100	-65								EE	Electric	
				15	SS2584 (Sanicro 28)					100								EH	Electro-Hydraulic	
				16	254 SMO (EN 1.4547)					125								HD	Hydraulic	
				17	904L (EN 1.4539)					150										
				18	317L (EN 1.4438)					200										
				19	Duplex (EN 1.4581)					250										
				20	Super Duplex (EN 1.4469)															
		XXXX		-XX		-XX		XX(X)					-XX(X)		RB/FB		XX		XX	Special

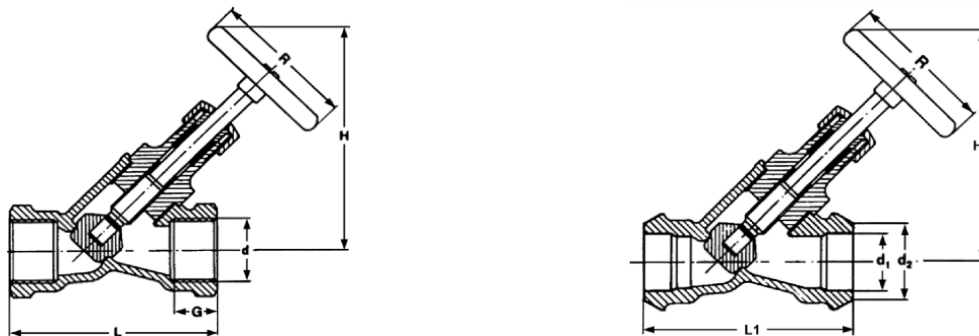
# Standard Globe design: Series AVR 350 / AVR 360



Parts and material of construction								
Pos.	No.	Part	Material					
1	1	Body	ASTM A351 CF8M (EN 1.4408)	254 SMO (EN 1.4547)	904L (EN 1.4539)	Duplex (EN 1.4470)	Super Duplex (EN 1.4469)	Hastelloy C-276
2	1	Bonnet						
3	1	Disc				316 SST (EN 1.4401)		
4	1	Stem				316 SST (EN 1.4401)		
5	1	Seat				ASTM A351 CF8M (EN 1.4408)		
6	2	Packing	Graphite					
7	1	Gasket	Klingersil C4400					
Temperature Ratings								
Temperature Range			-50 to +200 Deg C					
Pressure Ratings								
DN15 to DN100			PN40					
DN125 to DN150			PN25					
DN200 to DN250			PN16					

Dimensions and Weight (mm and kg)									
Valve size DN-mm	PN	A	B	C	E	G	H	Kv	kg
15	40	15	95	130	65	100	225	4	4
20	40	20	105	150	75	100	225	7	5
25	40	25	115	160	80	100	225	11	6
32	40	32	140	180	90	125	230	18	7
40	40	40	150	200	100	140	280	29	10
50	40	50	165	230	100	140	285	45	13
65	40	65	185	290	120	160	335	75	18
80	40	80	200	310	125	160	375	128	22
100	40	100	235	350	140	200	445	200	29
125	25	125	270	400	155	250	560	313	52
150	25	150	300	480	170	315	650	450	73
200	16	200	340	600	205	315	780	800	119
250	16	200	405	730	245	400	940	1450	184

In steam design, max 60° open angle.



Parts and material of Construction								
Pos.	No.	Part	Material					
1	1	Body	CF8M (EN 1.4408)	254 SMO (EN 1.4547)	904L (EN 1.4539)	Duplex (EN 1.4470)	Super Duplex (EN 1.4469)	Hastelloy C-276
2	1	Bonnet	316 SST (EN 1.4408)					
3	1	Disc						
4	1	Stem	Duplex (EN 1.4462)					
5	1	Seat	ASTM A351 CF8M (EN 1.4408)	254 SMO (EN 1.4547)	904L (EN 1.4539)	Duplex (EN 1.4462)	Super Duplex (EN 1.4410)	Hastelloy C-276
6	2	Packing	Graphite					
7	1	Seal	PTFE					
Temperature Ratings								
Temperature Range			-50 to +200 Deg C					
Pressure Ratings								
DN8 to DN25			PN100					

Dimensions and Weight (mm and kg)												
Valve size mm (inch)	PN	G	d1	d2	L	L1	H	H1	R	NoT	Kv	kg
8 (1/4")	100	13	-	-	75	-	110	-	65	4,5	1,5	0,6
10 (3/8")	100	14	-	-	75	-	110	-	65	4,5	2,3	0,6
15 (1/2")	100	18	15	15	75	75	110	110	65	4,5	5,1	0,6
20 (3/4")	100	19	20	20	90	75	110	110	65	10	9,1	0,9
25 (1")	100	23	23	25	100	90	110	130	65	13	14	1,3

\*NoT= Number of turns open-shut

\*Kv-m<sup>3</sup>/hr



Address: Fredsforstigen 22 A, SE-168 67 Bromma, Sweden  
Office: +46 8 598 931 00 | www.ramenvalves.com