

PRODUCT DATA SHEET

Engelsberg Type BAFR 435 - Y-type check valve



Ramén Valves

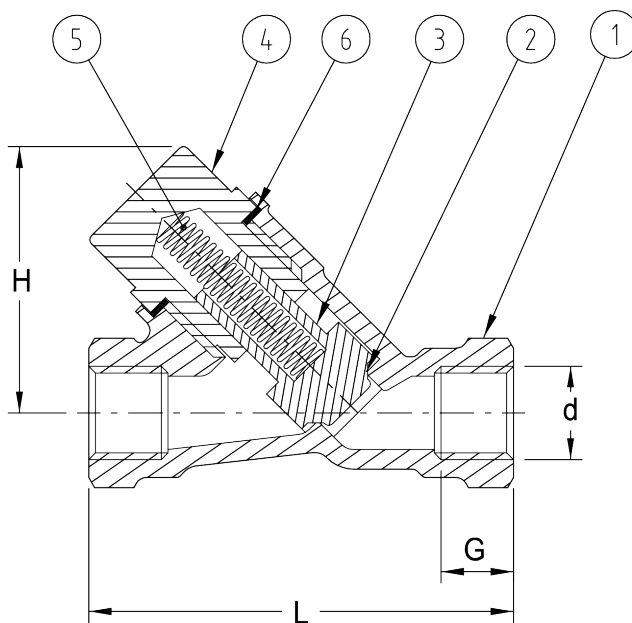
We know the flow



Engelsberg check valve type BAFR 435 is designed for quick shut-off with minimal differential pressure to prevent backflow of gases or liquids. Robust soft or metal to metal seat offers the highest possible leakage class and minimum maintenance. Engelsberg BAFR 435 check valve is available in Stainless Steel EN 1.4408 body in order to provide the best corrosion resistance and the longest lifetime. BSPF threaded connections is standard for easy mounting in DN8 to DN25 (1/4" to 1").

Technical information	
Design	Y-Type Spring Loaded
Connection	Female: Threaded
Nominal sizes	DN8-DN25 (1/4"-1")
Material	EN 1.4408 (Stainless steel)
Nominal pressure	PN100
Leakage class	Rate A acc. to EN12266-1
Temperature range	-50°C to 200°C
Options	
Seat	Soft seated
Connection	Buttweld

Type 435 - Y-type check valve



Parts and material of construction			
Pos.	No.	Part	Material
1	1	Body	EN 1.4404 (Stainless steel)
2	1	Seat	EN 1.4404 (Stainless steel) / PTFE
3	1	Disc	EN 1.4404 (Stainless steel)
4	1	Cap	
5	1	Spring	
6	1	Seal	PTFE or Copper ⁽¹⁾

⁽¹⁾Q = High temperature (above 200°C) option

Dimensions								
Size DN	PN	d (inch)	G	L	H	Kv ⁽¹⁾ [m ³ /h]	Cv ⁽¹⁾ [gpm]	Weight [kg]
8	100	1/4	13	75	45	3	9	0,3
10		3/8	14	75	45	3	9	0,3
15		1/2	18	75	45	3	9	0,3
20		3/4	19	90	60	16	19	1,8
25		1	23	100	60	16	19	1,8

⁽¹⁾ For water: $\Delta P = (Q/Kv)^2$, with ΔP in bar and Q in m³/h. $Cv = Kv \cdot 1,16$

Ordering code type 435 - Y-type check valve

Code example EB435-1228-020

EB	Valve serie (3-5)	(X)	Body & disc material (6-7)		End connection (8-9)		Size (10-12)
EB	435	Option soft seated	12	316L (EN 1.4404)	28	Female BSP thread	008
							010
							015
							020
							025



Address: Fredsforstigen 22A, SE-168 67 Bromma, Sweden
Office: +46 8 598 931 00 | www.ramenvaives.com